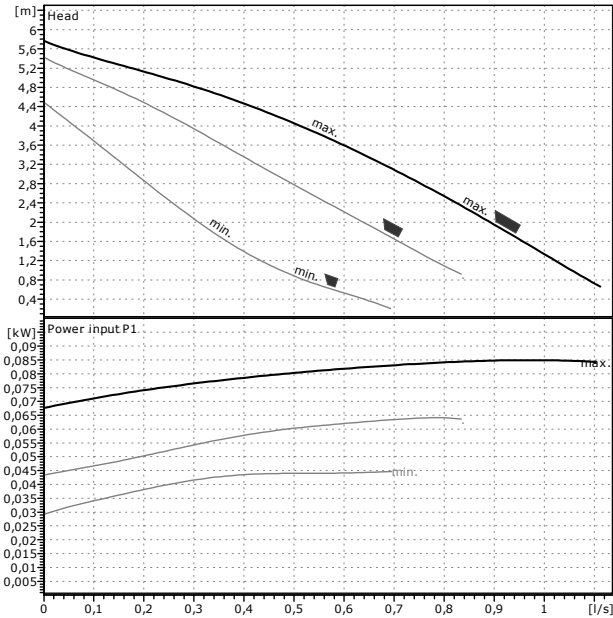




Customer	Project	Page 1 / 1
Customer no.	Project no.	Date 07.11.2007
Contact	Position no.	
Care of	Location	



Requested data

Flow	0	l/s
Head	0	m
Fluid		
Fluid temperature	0	K
Density	998,3	kg/m ³
Kinematic viscosity	1,005	mm ² /s
Vapor pressure	0	kPa

Pump data

Make	WILO	
Type	Star-RS 15/6 ClassicStar 130mm	
Pumpe type	Single head pump	
Operating type	1	
Pressure rating	PN10	
Min. fluid temperature	263	K
Max. fluid temperature	383	K

Hydraulic data (duty point)

Flow	l/s
Head	m
Power input P1	kW

Minimum suction head

Temperature	323	368	383			K
Minimum suction head	0,5	3	10			m

Materials / Shaft seal

Housing	Grade 14 cast iron
Shaft	X 40 Cr 13
Impeller	Polypropylene
Bearing	Graphite

Dimensions

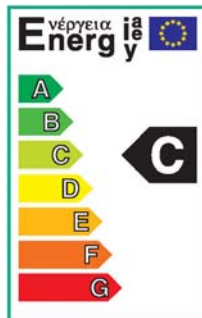
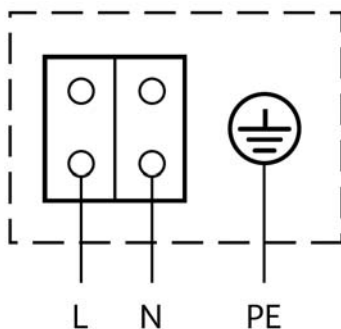
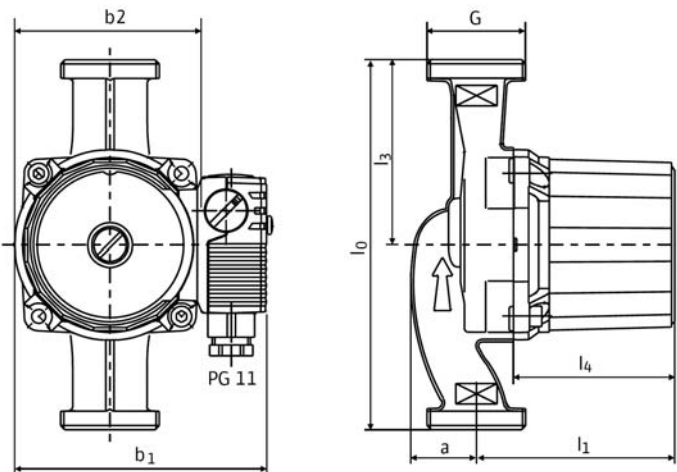
	mm						
a	33	14	79				
b1	100	10	130				
b2	92,5	11	97				
b3	54	13	65				
b4	73						

Suction side	½"/G 1	/ PN10
Discharge side	½"/G 1	/ PN10
Weight	2,4	kg

Motor data

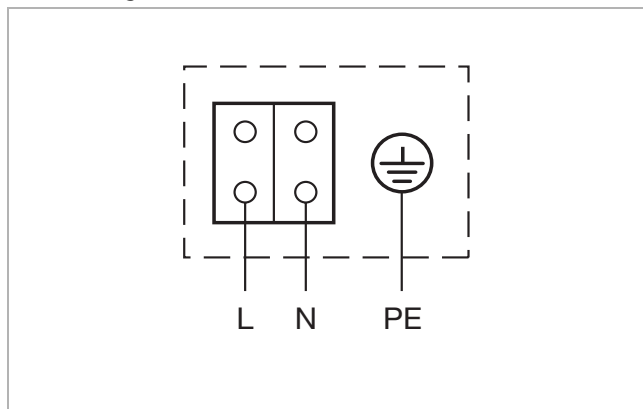
Energy efficiency class	C	
Rated power P2	0,039	kW
Power input P1	0,08515	kW
Nominal speed	2550	1/min
Rated voltage	1~230 V,50	Hz
Max. power consumption	0,37	A
Degree of protection	IP 44	
Permitted voltage tolerance	+/- 10%	

Item no. of standard version 4063803



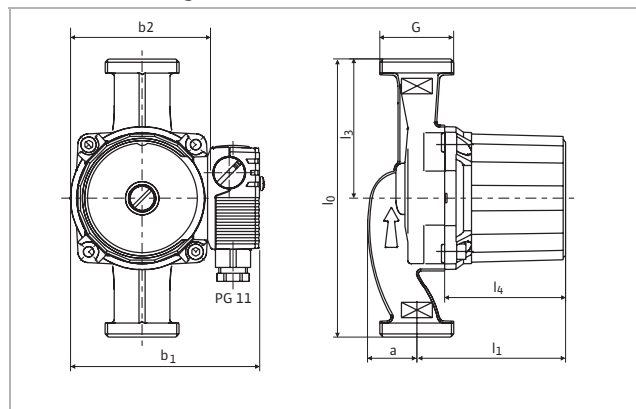
Terminal Diagrams, Motor Data, Dimensions, Weights

Terminal diagram



AC motor (EM) 2-pole - 1~230 V, 50 Hz
With integrated capacitor

Dimension drawing



Motor horizontal
Terminal box position for 3, 6, 9 and 12 o'clock possible
At delivery terminal box position is at 3 o'clock.

Glandless Pumps

Motor Data

	Nominal power	Speed	Power consumption	Current 1~230V, 50 Hz	Motor protection	Capacitor	Pg screwed connection
	P ₂	n	P ₁	I	–	Capacity	–
	[W]	[rpm]	[W]	[A]	–	[µF/VDB]	–
Star-RS 15/4-130	22	max 1900	56–68	0.28	not necessary (blocking-current-proof)	2.0/400	11
	13	1400	40–48	0.20			
	7	min 1000	27–32	0.13			
Star-RS 15/6-130	37	max 1850	77–99	0.41	not necessary (blocking-current-proof)	2.6/400	11
	22	1300	56–75	0.31			
	12	min 950	41–50	0.24			

Always refer to name plate data!

Dimensions, Weights

	Pipe connection / Nominal diameter	Thread	Pump dimensions							Weight approx.
	Rp/DN	G	l ₀	l ₁	l ₃	l ₄	a	b ₁	b ₂	–
	–	–	[mm]							[kg]
Star-RS 15/4-130	Rp ½	G1	130	97	65	79	33	119	92.5	2.2
Star-RS 15/6-130	Rp ½	G1	130	97	65	79	33	122	92.5	2.4